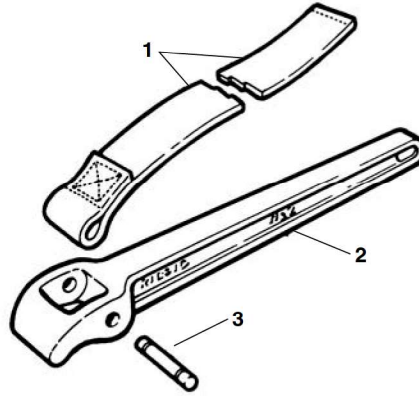


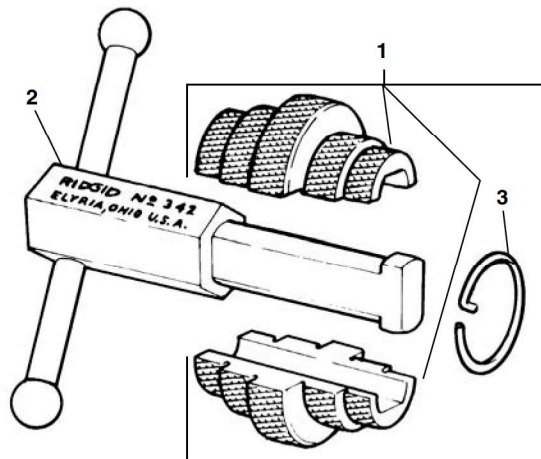
## Strap Wrenches



NOTE: Order parts by Catalog Number only.  
DO NOT order by Reference Number.

		1 1/8"-2"	2 1/8"-2"	2P 1/8"-2"	5 1"-5"	5P 1"-5"
<b>Ref. No.</b>	<b>Description</b>	<b>Catalog No.</b>	<b>Catalog No.</b>	<b>Catalog No.</b>	<b>Catalog No.</b>	<b>Catalog No.</b>
1	17" Strap	31990	32015	32035	—	—
	24" Strap	—	32020	—	—	—
	30" Strap	—	32025	—	32050	32065
	48" Strap	—	—	—	32055	—
2	Handle	32005	32040	32040	32075	32075
3	Pin	32010	32045	32045	32080	32080

## No. 342 Internal Wrench Capacity: 1" through 2"



Ref. No.	Catalog No.	Description
—	31405	342 Internal Wrench
1	32795	Jaw (1 Set)
2	32790	Handle and Body Assembly
3	32800	Retainer Spring Ring